

FIG.	COD.	DESCRIPCION	DESCRIPTION
1	11686	TAPÓN REBOSADERO 43-48	OVERFLOW PIPE 43-48
1	12446	TAPÓN REBOSADERO 53	OVERFLOW PIPE 53
2	11721	MUELLE 43-48	SPRING 43-48
3	12363	FILTRO TANQUE	TANK FILTER
4	12364	TUERCA CON GANCHO	RING NUT WITH FASTENER
5	12365	JUNTA TÓRICA	O-RING
6	12366	RACOR DESAGÜE	DRAIN CONNECTION
7	6143	ABRAZAD. MANGUITO E 40	JUBILEE CLIP E 40
7	8465	ABRAZADERA	CLAMP
8	12367	TUBO DESAGÜE 43-48	OUTLET TUBE 43-48
8	12604	TUBO DESAGÜE	DRAIN HOSE
9	8417	TUERCA PLÁSTICO	PLASTIC NUT
10	12603	JUNTA PLANA	FLAT RUBBER GASKET
11	12368	CODO ASPIRACIÓN	SUCTION ELBOW
12	11718	FILTRO PILETA	SUCTION FILTER
13	12605	MANGUITO ASPIRAC. 43-48	SUCTION SLEEVE 43-48
13	12606	MANGUITO ASPIRACIÓN 53	SUCTION SLEEVE 53
14	12611	TAPÓN REBOSADERO	OVERFLOW PIPE
15	12664	MANGO FILTRO	FILTER HANDLE
16	12564	TORNILLO 2,9X9	SCREW 2,9X9
17	12612	FILTRO TANQUE	TANK FILTER
18	8418	TUERCA PLÁSTICO	PLASTIC NUT
19	12613	SOPORTE FILTRO	FILTER SUPPORT

FIG.	COD.	DESCRIPCION	DESCRIPTION
20	12614	ANILLO FONDO PILA	BOTTOM RING
21	12615	TAPA FILTRO	FILTER COVER
22	12616	FILTRO FONDO CIRCULAR	BOTTOM FILTER
23	8461	ABRAZADERA	CLAMP
24	12649	FILTRO TANQUE DERECHO	TANK FILTER RIGHT
25	12667	TAPÓN REBOSADERO 60	OVERFLOW PIPE 60
26	12666	RACOR DESAGÜE	DRAIN CONNECTION
27	11665	JUNTA PLANA 55X42X2	FLAT GASKET 55X42X2
28	12367	TUBO DESAGÜE	DRAIN HOSE
29	12618	RACOR DESAGÜE	DRAIN CONNECTION
31	12617	MANGUITO ASPIRACIÓN	SUCTION SLEEVE
32	12601	JUNTA TÓRICA	O-RING
33	11685	CARTUCHO FILTRO 43-48-53	FILTER PUMP ASPIRATION 43-48-53
34	12602	PROTECTOR ASPIRAC. BOMBA	SUCTION PROTECTION
35	6137	FILTRO CUBA E 43-52-60	TANK FILTER E 43-52-60
36	10672	ELEC. BOMBA HP 0,33 43-48	PUMP 0,33HP 43-48
36	24981	BOMBA 0,3HP ZF140 50 Hz	PUMP 0,3HP ZF140 50 Hz
37	12633	TAPA BOMBA 43-48	PUMP COVER 43-48
37	30720	TAPA BOMBA ZF 140 (24981)	PUMP COVER (24981)
38	13007	JUNTA TÓRICA 43-48	O-RING Ø43-48
38	30721	TÓRICA Ø94,97X1,78 LGB (24981)	(24981) O-RING 94,97X1,78mm LGB
39	12635	GIRANTE BOMBA 43-48	IMPELL. 43-48
39	30722	RODETE DE BOMBA ZF 140 (24981)	IMPELL. (24981)

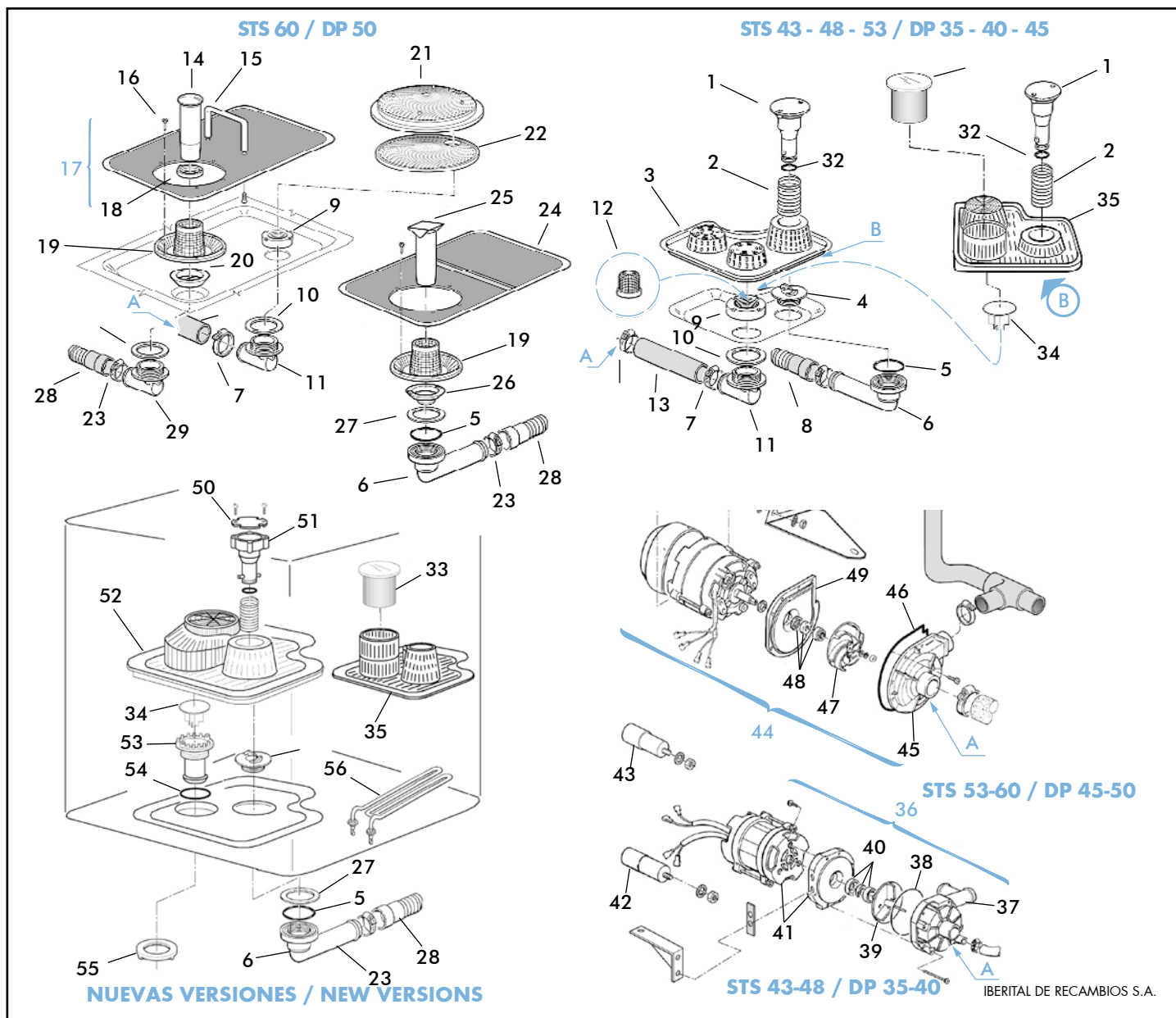


FIG.	COD.	DESCRIPCION	DESCRIPTION
40	12372	RETÉN BOMBA LGB	PUMP SEAL LGB
40	12636	RETÉN 43-48	MECHANICAL SEAL 43-48
41	12637	CUERPO BOMBA 43-48	PUMP BODY 43-48
41	30723	BRIDA BOMBA ZF140 (24981)	PUMP FLANGE (24981)
42	12632	CONDENSADOR 5µF 43-48	CAPACITOR 5µF 43-48
43	12641	CONDENSADOR 12,5µF 53	CAPACITOR 12,5µF 53
43	12647	CONDENSADOR 16µF	16µF CAPACITOR
44	12639	ELECTROBOMBA HP 0,75	0,75HP PUMP
44	12642	ELECTROBOMBA HP 1 C60-C80	C60-C80 1HP PUMP
45	13006	TAPA BOMBA IZQUIERDA	LEFT PUMP COVER
45	8466	TAPA BOMBA HP 0,5-0,75	0,5-0,75HP PUMP COVER
46	13008	JUNTA TÓRICA PERFILADA GRANDE	O-RING SHAPED
46	30724	JUNTA BOMBA	PUMP GASKET
46	8470	JUNTA BOMBA 53-60	O-RING Ø53-60
47	12645	RODETE M8 SX (12642)	(30592) M8 SX IMPELL.
47	12665	RODETE Ø94,6mm M8 IZQ (12639)	(12639) M8 SX IMPELL.
47	1834	RODETE BOMBA DCH (12639)	(12639) IMPELL.
48	12372	RETÉN BOMBA LGB	PUMP SEAL LGB
48	8468	RETÉN BOMBA 53-60	MECHANICAL SEAL 53-60
49	12640	PLETINA ELECTROBOMBA (12639)	(12639) PUMP PLATE
49	12646	PLETINA ELECTROBOMBA (34170)	(34170) PUMP PLATE
49	12663	PLETINA ELECTROBOMBA IZQ	LEFT FLANGE
50	13427	TAPA REBOSADERO	OVERFLOW PIPE COVER

FIG.	COD.	DESCRIPCION	DESCRIPTION
51	30556	REBOSADERO 53/60 H=1	53/60 H=1 PIPE
51	30725	REBOSADERO 43/48	43/48 PIPE
52	30726	FILTRO CUBA 53-60	TANK FILTER 53-60
53	12447	RACOR DE ASPIRACIÓN	INLET FITTING
54	12708	JUNTA TÓRICA	O-RING
55	8417	TUERCA PLÁSTICO	PLASTIC NUT
56	21581	RESIST. CUBA 2000W-230V PERFIL	2000W 230V TANK ELEMENT
57	12449	RESIST. 2000 W-230V	2000W-230V ELEMENT