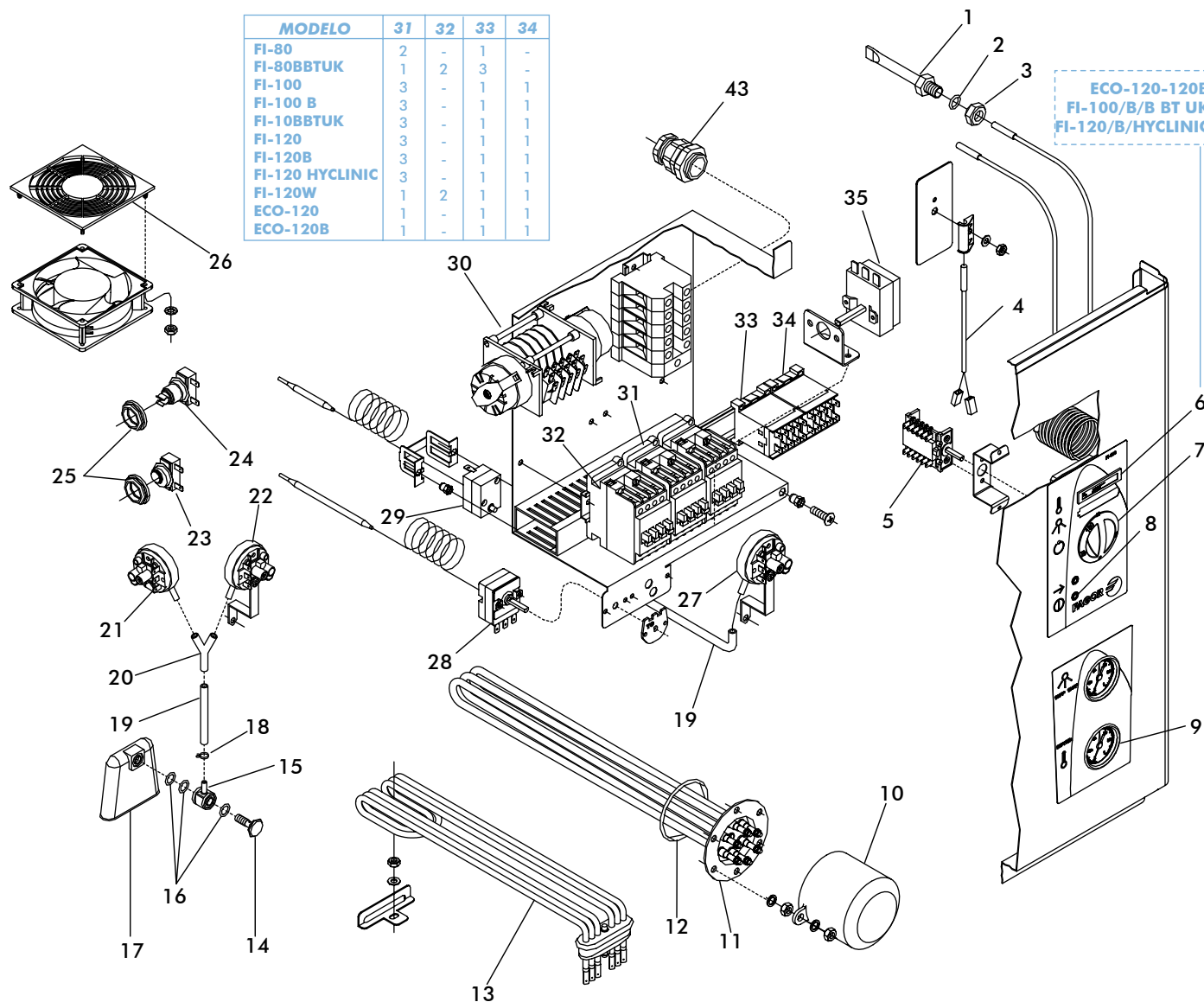


IBERITAL DE RECAMBIOS S.A.

FIG.	COD.	DESCRIPCION	DESCRIPTION	FIG.	COD.	DESCRIPCION	DESCRIPTION
1	31419	VAINA INDICADOR COMPLETA	COMPLETE INDICATOR SHELL	12	6881	JUNTA TÓRICA AN-36	O-RING AN-36
2	14405	TÓRICA Ø16,18x09,12x03,53mm	O-RING Ø16,18x09,12x03,53mm	13	31471	RESIST. TANQUE FI-120/B/HYCLINIC	FI-120/B/HYCLINIC TANK ELEMENT
3	6291	TUERCA HEXAGONAL M-12	NUT M-10	13	40448	RESISTENCIA TANQUE ECO-120/B	ECO-120/B TANK ELEMENT
4	14207	INTERRUPTOR MAGNÉTICO	MAGNETIC SWITCH	14	8972	TORNILLO PRESOSTATO	PRESSURE SWITCH SCREW
5	14434	CONMUTADOR FUNCIONES FI-80	FI-80 SWITCH FUNCTIONS	15	31385	EMPALME PRESOSTATO FI-80/BBTUK	FI-80/BBTUK P. SWITCH CONNEX
5	31439	CONMUT. FUNC. FI-100-120-120W	FI-100-120-120W SWITCH	15	8887	EMPALME PRESOSTATO	PRESSURE SWITCH CONNEX
5	31450	CONMUT. FI-100-120/B/B BT UK/FI-120 HYCLINIC	FI-100-120/B/B BT UK/FI-120 HYCLINIC SWITCH	16	14327	TÓRICA Ø16,01X10,77X2,62mm	O-RING Ø16,01X10,77X2,62mm
5	31470	CONMUTADOR 5P 12C FI-80B BT UK	FI-80B BT UK 5P 12C SWITCH	17	8760	CÁMARA PRESOSTATO	PRESSURE SWITCH CHAMBER
6	31391	INDICADOR ANALÓGICO	ANALOGIC INDICATOR	18	14190	BRIDA ELÁSTICA TUBO	ELASTIC PIPE FLANGE
7	31449	BOTÓN MANDO FI-100-120-120W	FI-100-120-120W CONTROL BUTTON	20	14222	RACOR EN Y	Y-CONNECTION
7	31452	BOT. MANDO FI-100/B/B BT UK / FI-120/B/HYCLINIC	FI-100/B/B BT UK / FI-120/B/HYCLINIC CTRL BUTTO	21	31451	PRESOSTATO SEGURIDAD	SAFETY PRESSURE SWITCH
7	31468	BOTÓN MANDO FI-80	FI-80 CONTROL BUTTON	22	14437	PRESOSTATO SIMPLE	PRESSURE SWITCH SIMPLE
7	31469	BOTÓN MANDO FI-80B BT UK	FI-80B BT UK CONTROL BUTTON	23	5299	TERMOSTATO DOBLE	DOUBLE THERMOSTAT
8	31380	PILOTO ÁMBAR FI-80B BT UK	FI-80B BT UK AMBER PILOT	24	14438	TERMOSTATO REARME MANUAL	MANUAL RESET THERMOSTAT
8	31392	PILOTO ÁMBAR Ø10mm	Ø10mm AMBER PILOT	25	8738	SOPORTE TERMOSTATO	THERMOSTAT SUPPORT
9	31420	TERMÓMETRO FI-120W	FI-120W THERMOMETER	26	40220	VENTILADOR 230V 50/60 Hz	FAN 230V 50/60 Hz
10	14323	CAPERUZA RESISTENCIA	BOILER ELEMENT CAP	27	31399	TRIPLE PRESOSTATO 40-120-150	TRIPLE P. SWITCH 40-120-150
11	14339	RESISTENCIA CALDERÍN FI-80B BT UK	FI-80B BT UK BOILER ELEMENT	28	31422	TERMOSTATO CALDERÍN FI-80	FI-80 WASH BOILER THERMOSTAT
11	14464	RESIST. FI-120/B/HYCLINIC	FI-120/B/HYCLINIC BOILER ELEMENT	28	40400	TERMOSTATO CALDERÍN	THERMOSTAT
11	31466	RESISTENCIA CALDERÍN FI-120W	FI-120W BOILER ELEMENT	29	6689	LIMITADOR TECASA P.	LIMITER TECASA P.
11	40330	RESIST. CALDERÍN FI-100/B/BBTUK	FI-100/B/BBTUK BOILER ELEMENT	30	14343	PROGRAM. CICLO 50Hz FI-80	FI-80 CYCLE PROGRAM. 50Hz
				30	14348	PROG. CICLO 60Hz T. STOP FI-80B BT UK	FI-80B BT UK T. STOP CYCLE Progr. 60Hz

MODELO	31	32	33	34
FI-80	2	-	1	-
FI-80BBTUK	1	2	3	-
FI-100	3	-	1	1
FI-100 B	3	-	1	1
FI-100BBTUK	3	-	1	1
FI-120	3	-	1	1
FI-120B	3	-	1	1
FI-120 HYCLINIC	3	-	1	1
FI-120W	1	2	1	1
ECO-120	1	-	1	1
ECO-120B	1	-	1	1

ECO-120-120B
FI-100/B/B BT UK
FI-120/B/HYCLINIC



IBERITAL DE RECAMBIOS S.A.

FIG.	COD.	DESCRIPCION	DESCRIPTION	FIG.	COD.	DESCRIPCION	DESCRIPTION
30	14468	PROGRAM. CICLO FI-100/B-FI-120/B	FI-100/B-FI-120/B CYCLE PROGRAM.				
30	14469	PROGRAM. 60Hz T. STOP FI-120W	FI-120W PROGRAM. 60Hz T. STOP				
30	14470	PROG. CICLO 5 LEVAS ECO-120/B	ECO-120/B CYCLE PROGRAM. 5L				
30	31404	PROGR. CICLO 4 LEVAS 60Hz FI-80	FI-80 CYCLE PROGRAM. 4L. 60Hz				
30	31448	PROG. CICLO 5 LEV. 60Hz ECO120/B	ECO120/B CYCLE PROGR. 5 LEV. 60Hz				
30	31462	PROG. 50Hz 6 LEV. FI-100BBTUK-120 HYCLINIC	FI-100BBTUK-120 HYCLINIC CYCLE PROGR. 6 LEV. 50Hz				
31	8736	CONTAC. SIRIUS 3R 230V50-60Hz	RELAY SIRIUS 3R 230V50-60Hz				
32	14467	CONTACTOR 230V 60Hz	CONTACTOR 230V 60Hz				
33	14333	CONTACTOR 3TF20 01-3AL2 230	CONTACTOR 3TF20 01-3AL2 2				
34	40312	CONTACTOR 230 V. 50-60 Hz	CONTACTOR 230 V. 50-60 Hz				
35	31378	TERMOST. CONDOC. VAPOR FI-120W	FI-120W CONDOC. STEAM THERM.				