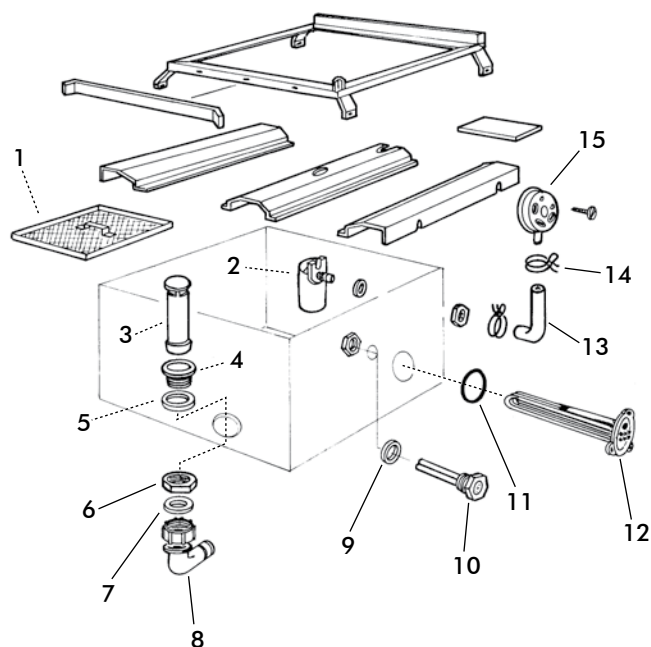
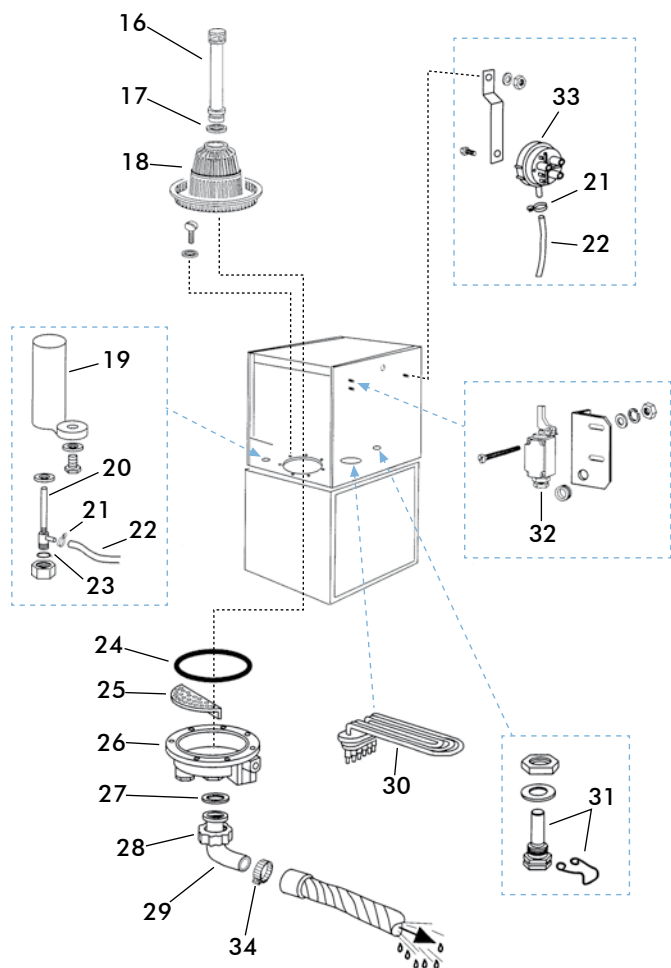


C30-70-75-LP360

C33-34



IBERITAL DE RECAMBIOS S.A.

| FIG. | COD. | DESCRIPCION | DESCRIPTION | FIG. | COD. | DESCRIPCION | DESCRIPTION |
|------|-------|-----------------------------|-------------------------------|------|-------|---------------------------------|-------------------------------|
| 1 | 13722 | FILTRO PLANO C34-S1600 | FLAT STRAINER C34-S1600 | 21 | 13070 | BRIDA PRESIÓN 8,3/7,8 | ELASTIC CLAMP 8,3/7,8 |
| 2 | 13719 | CÁMARA AIRE PRESOSTATO F-C | AIR TRAP F-C | 22 | 13033 | TUBO PRESOSTATO C30 | PRESSURE SWITCH HOSE C30 |
| 3 | 13721 | REBOSADERO 215mm C34 | OVERFLOW STADPIPE 215mm C34 | 22 | 13041 | TUBO PRESOSTATO Ø5X9mm | Ø5X9mm PRESSURE SWITCH HOSE |
| 4 | 13718 | ASIENTO REBOSADERO 1 1/2" | DRAIN OUTLET 1 1/2" | 23 | 13078 | JUNTA Ø18,5X10X3mm | Ø18,5X10X3mm GASKET |
| 5 | 13723 | JUNTA 1 1/2" Ø65X47X2mm | WASHER 1 1/2" Ø65X47X2mm | 24 | 6447 | JUNTA REBOS. 183,75X190,81X3,53 | O-RING 183,75X190,81X3,53 |
| 6 | 13720 | TUERCA DESAGÜE 1 1/2" | LOCK NUT 1 1/2" | 25 | 6448 | FILTRO ASPIRACIÓN BOMBA | PUMP SUCTION FILTER |
| 7 | 6423 | JUNTA 1 1/2" | GASKET DRAIN 1 1/2" | 26 | 13710 | CUBA ASPIR. SIN PRESOSTATO C30 | TANK SUCTION BASIN C30 |
| 8 | 13717 | CODO CURVO SALIDA AGUA | ELBOW 2 DIAMETERS | 27 | 6423 | JUNTA 1 1/2" | GASKET DRAIN 1 1/2" |
| 9 | 13082 | JUNTA 30X21X2 | GASKET 30X21X2 | 28 | 6424 | TUERCA CODO DESAGÜE 1 1/2" F | DRAIN PIPE NUT 1 1/2" F |
| 10 | 13724 | FUNDA TERMOSTATO 2 TUBOS | THERMOSTAT SHIELD FOR 2 HOSES | 29 | 6425 | CODO SALIDA AGUA 1 1/2" | ELBOW DRAIN 1 1/2" |
| 11 | 8554 | TÓRICO RESISTENCIA | O-RING HEATER ELEMENT | 30 | 13705 | RESISTENCIA 3000W 230/400V | 3000W 230/400V HEAT ELEMENT |
| 12 | 13716 | RESISTENCIA 3000W 230/400V | 3000W 230/400V HEAT ELEMENT | 31 | 13711 | FUNDA TERMOSTATO CUBA C-F | TANK THERMOSTAT SHIELD C-F |
| 13 | 13033 | TUBO PRESOSTATO B-C34 | PRESSURE SWITCH HOSE B-C34 | 31 | 13714 | FUNDA TERMOSTATO C30 | THERMOSTAT SHIELD C30 |
| 14 | 13038 | BRIDA PRESIÓN 10,4X9,8 | ELASTIC CLAMP 10,4X9,8 | 31 | 13715 | FUNDA TERMOSTATO C70 | THERMOSTAT SHIELD C70 |
| 15 | 6430 | PRESOSTATO A1 NIVEL 80-50 | PRESSURE SWITCH 1 LEVEL 80-50 | 32 | 13706 | MICROPUERTA | LIMIT SWITCH WITH LEVER |
| 16 | 13709 | REBOSADERO H=215 | OVERFLOW STADPIPE H=215 | 32 | 13712 | MICROPUERTA C30-C70 | LIMIT SWITCH LEVER C30-C70 |
| 16 | 6445 | REBOSADERO H=140 C30 | OVERFLOW STADPIPE H=140 C30 | 33 | 6405 | PRESOSTATO A 1 NIVEL C30 | PRESSURE SWITCH 1 LEVEL C30 |
| 17 | 6338 | JUNTA REBOSADERO C30-C70 | O-RING C30-C70 | 33 | 6430 | PRESOSTATO A 1 NIVEL 80-50 | PRESSURE SWITCH 1 LEVEL 80-50 |
| 17 | 6457 | JUNTA REBOSADERO | O-RING | 34 | 13059 | ABRAZADERA 32-44 H=12,2 | CLAMP 32-44 H=12,2 |
| 18 | 6446 | FILTRO AGUA CUBA | STRAINER | | | | |
| 19 | 13707 | CÁMARA AIRE PRESOSTATO | AIR CHAMBER | | | | |
| 19 | 13713 | CÁMARA AIRE PRESOSTATO C30 | AIR CHAMBER C30 | | | | |
| 20 | 13708 | TUBO CÁMARA AIRE PRESOSTATO | HOSE FOR AIR CHAMBRE | | | | |