

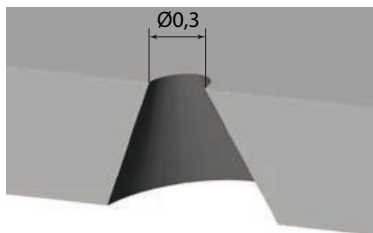
Exclusive  
innovation

# PRECISION FILTERS AND SHOWERS COMPETITION SERIES

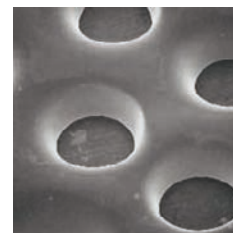
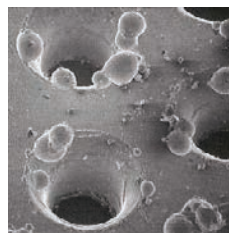
## FILTERS



Conical cross section hole



Electropolishing finish



before

after

The drilling and shape are designed and calibrated to obtain uniformity of all the holes, allowing a consistent coffee extraction.

The electropolishing process provides a mirror surface finish that minimizes surface micro-roughness, this significantly reduces the adhesion, reduces corrosion and makes easy the filter cleaning (clean and sanitary qualities unmatched).

Group type: MARZOCCO, SYNESSO, SLAYER, KEES VAN DER WESTEN, NUOVA SIMONELLI, VICTORIA ARDUINO, RANCILIO, PROMAC, MAGISTER, ASTORIA, CONTI, ELEKTRA, PAVONI, FRACINO .

- Group type E61: IBERITAL, FAEMA, VIBIEMME, WEGA, ASCASO, BEZZERA, BFC, BIANCHI, BRASILIA, D.I.D. L'ORCHESTRALE, ECM, EXPOBAR, FIORENTATO, GRIMAC, LA NUOVA ERA, LA SCALA, QUALITY ESPRESSO, ROCKET, ROYAL FIRST, SAN REMO, SV - SAB, VFA.

> REF. 35491

1 CUP 6/8 gr

> REF. 35492

1 CUP 7/9 gr

> REF. 35493

2 CUPS 12/18 gr

> REF. 35494

2 CUPS 16/20 gr



> REF. 35495  
2 CUPS 18/22 gr

Group type: CIMBALI, CARIMALI, GAGGIA, RENEKA.



> REF. 35496  
1 CUP 6/9 gr



> REF. 35497  
2 CUPS 12/18 gr



> REF. 35498  
2 CUPS 16/22 gr

Group type: SAN MARCO, DALLA CORTE, IZZO.



> REF. 35499  
1 CUP 6/9 gr



> REF. 35500  
2 CUPS 12/18 gr

Group type: Iberital Expression Two, LA SPAZIALE, WEGA CONCEPT, ASTORIA PLUS 4 YOU.



> REF. 35501  
1 CUP 6/9 gr



> REF. 35502  
2 CUPS 12/18 gr

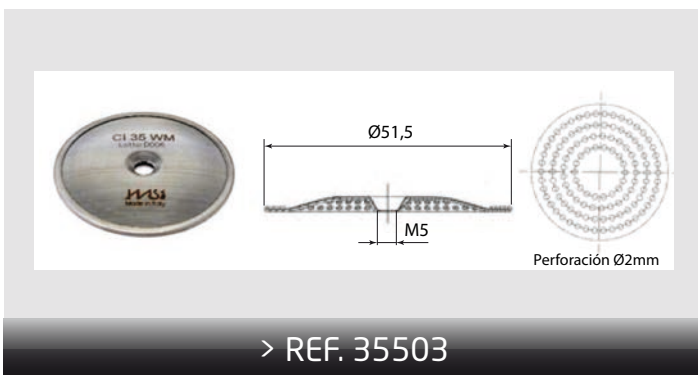
13,20 €

## SHOWERS

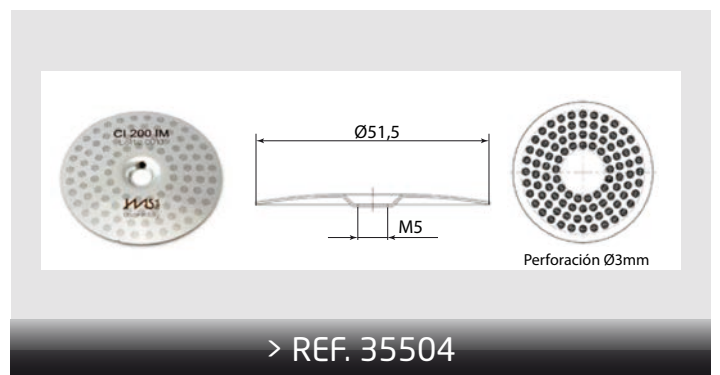
-Wire membrane shower: has a filtering power of 35  $\mu\text{m}$ , as well as uniform water distribution. Also blocks the access to the extract residues thereby improving the drying phase.

-Integrated membrane shower: Membrane built inside the supporting body of the shower and has a filtering capacity of 200  $\mu\text{m}$ . This is a long life product and the surface is completely smooth and easy to clean.

Group type: : La Cimballi, Astoria, Elektra, Brasilia.



WIRE MEMBRANE 35 $\mu\text{m}$



INTEGRATED MEMBRANE 200 $\mu\text{m}$

Group type: Faema, VBM, Wega, Bezzera, BFC, Bianchi, Brasilia, D. I. D. L'Orchestrale, ECM, Expobar, Fiorenzato, Grimac, Iberital, La Nuova Era, La Scala, Quality Espresso, Rocket, Royal First, La San Remo, SV-SAB, VFA.

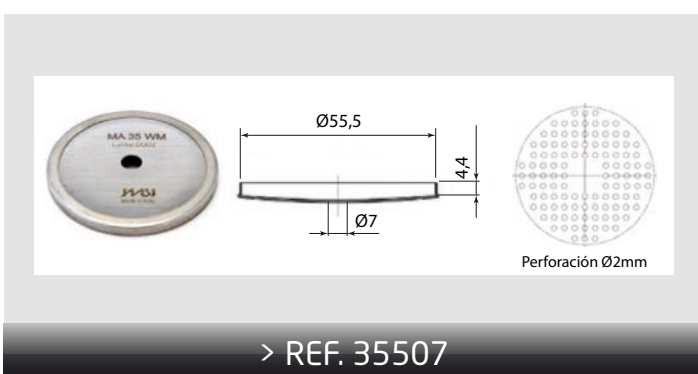


WIRE MEMBRANE 35 $\mu\text{m}$



INTEGRATED MEMBRANE 200 $\mu\text{m}$

Group type: La Marzocco, Synesso, Slayer.

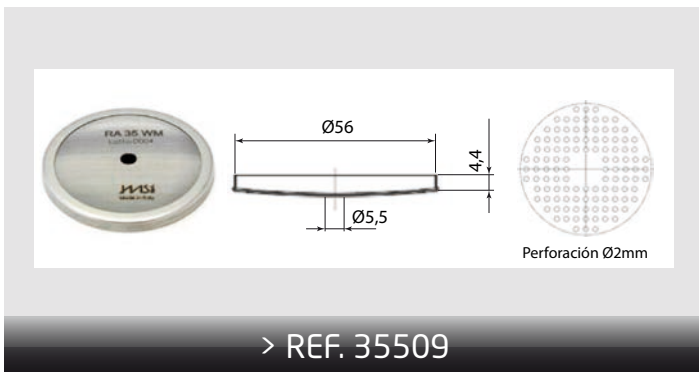


WIRE MEMBRANE 35 $\mu\text{m}$

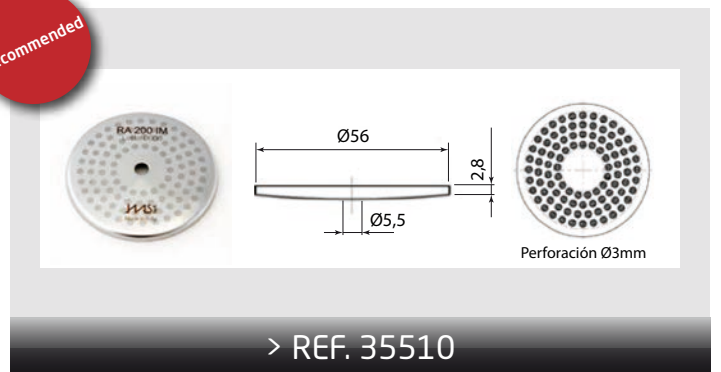


INTEGRATED MEMBRANE 200 $\mu\text{m}$

Group type: Rancilio, Promac.

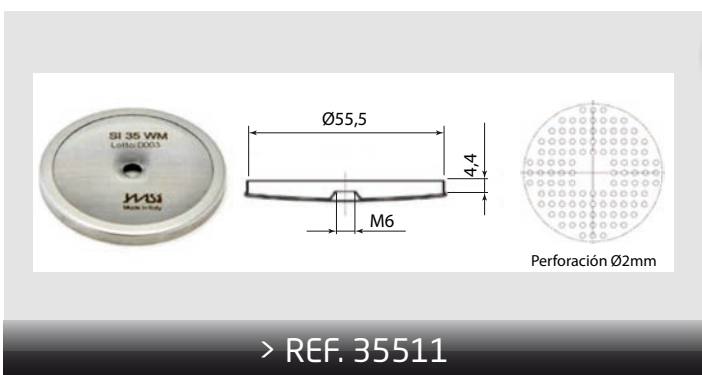


WIRE MEMBRANE 35µm

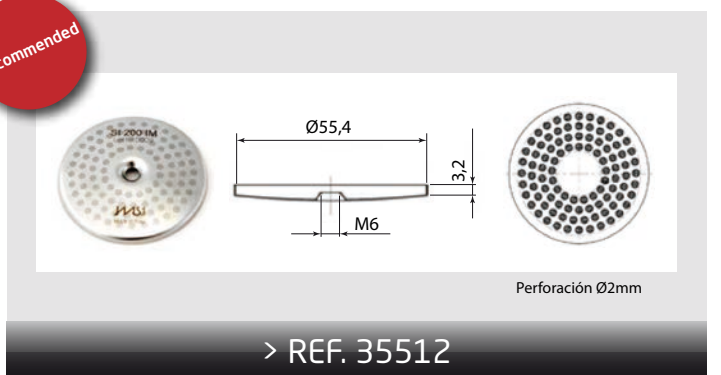


INTEGRATED MEMBRANE 200µm

Group type: Nuova Simonelli, Victoria Arduino.

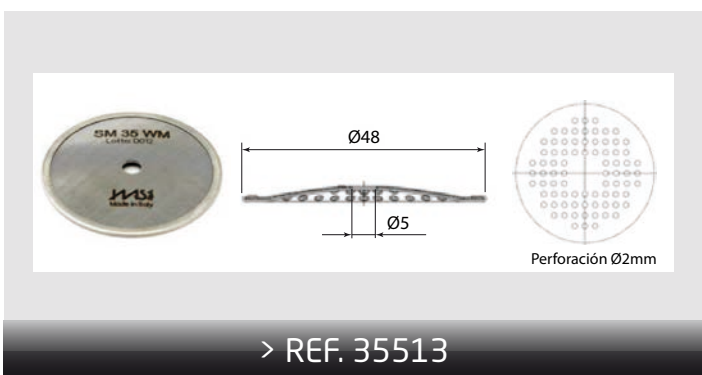


WIRE MEMBRANE 35µm

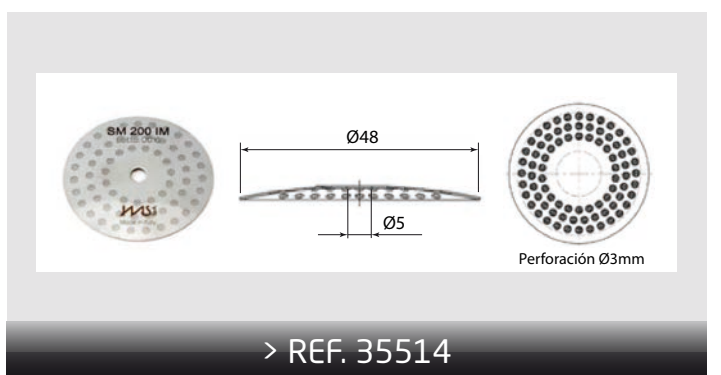


INTEGRATED MEMBRANE 200µm

Group type: San Marco, Astoria plus 4 you, Wega Concept.

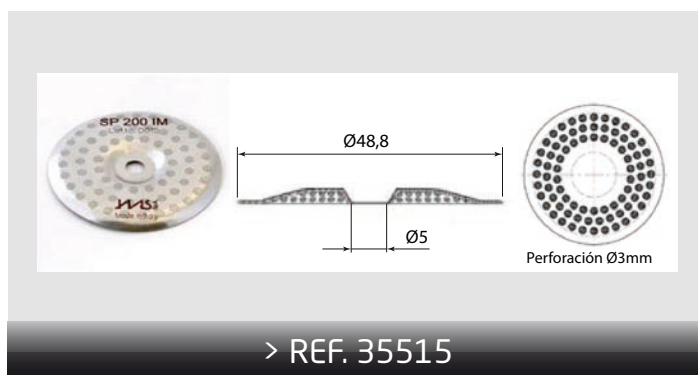


WIRE MEMBRANE 35µm



INTEGRATED MEMBRANE 200µm

Group type: Iberital Expression Two, La Spaziale, Dalla Corte.



INTEGRATED MEMBRANE 200µm